



**Ametek O'BRIEN
BARBEN ANALYZER TECHNOLOGY, LLC**

Date _____
Name _____
Company/Location _____

Phone _____
Email _____

Application

Briefly Describe the Application:

PROCESS DATA

Media (list primary components and concentration) _____

pH Range of Detection Set-point/Min/Max _____

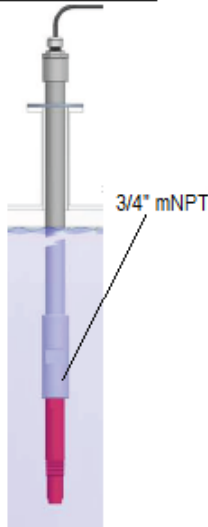
Sample Temperature C/F _____ Min/Max _____

Sample Pressure Min/Max _____

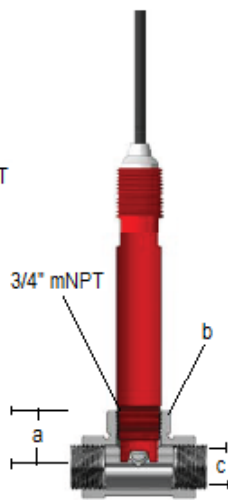
Abrasives/Solids: _____

Installation Details, Sensor Mounting

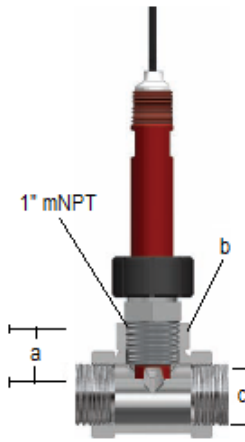
Submersible



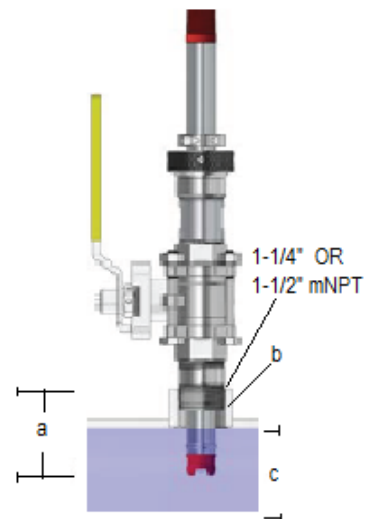
Threaded In-Line



Quick Change In-Line



Isolation "Hot-Tap"



1. Specify insertion depth "a" measured from mating thread to inside wall of process pipe or required insertion in process.

"a" insertion or stand-off length = _____

2. What is current process connection size, "b" and process pipe size, "c"

"b" = _____ "c" = _____

Sensor Materials of Construction

Body Material:	Kynar (STND)	PEEK	CPVC	<input type="checkbox"/>
O-Ring Material:	Viton (STND)	EPDM	Kalrez	
Metals (Hardware/Holder):	316 SS (STND)	Titanium	Hastelloy C-276	

Analyzer

How far from Transmitter would you prefer to mount the sensor _____

Manufacturer and Model number of existing transmitter _____

BAT to supply transmitter, define area class _____

Power: 2 Wire Loop, 4 Wire AC **Mounting:** Wall, Pipe, Panel **Digital:** HART, FF, Profi **Outputs:** 4-20, relays

