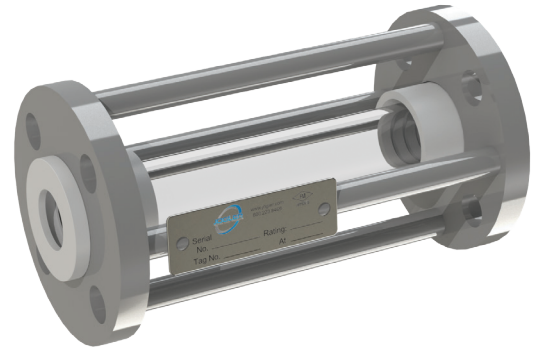


MODEL LAS SINGLE-TUBE LANTERN

FLOW INDICATORS (PATENTED)

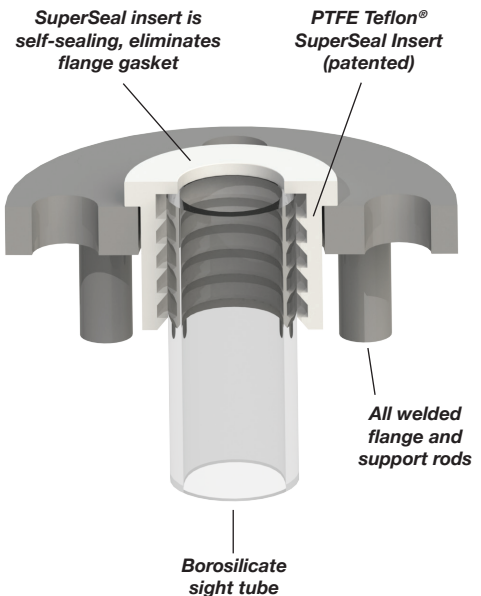


- Approved by the Factory Mutual System (150° F max)
- (Max length for FM approved models per specifications below)
- Full 360° unobstructed visibility
- All-welded construction, flanges and support rods
- Patented one-piece SuperSeal inserts are self-sealing
- All-wetted parts are PTFE Teflon® and borosilicate glass
- Available with sanitary fittings
- Threaded end connections available
- Rated for full vacuum service
- Custom designs available; consult factory
- Optional 316 SS support rods and flanges
- ANSI Class 300 lb flanges available



Standard Construction

- Borosilicate sight tube
- PTFE Teflon® SuperSeal inserts
- Carbon steel support rods and flanges, epoxy coated
- ANSI Class 150 lb flanges

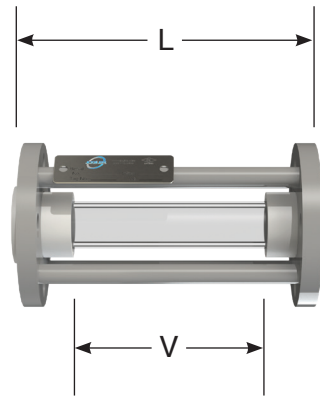


Model LAS Specifications				
Sight tube material	Sight tube size, in.	Gauge rating, psig	Flange size, in. ANSI 150	Max length, FM approved, in.
PI	1.00	150	1.00	48"
PI	1.50	135	1.50	48"
HW	1.50	285 ¹	1.50	48"
PI	2.00	115	2.00	48"
HW	2.00	285 ¹	2.00	48"
PI	3.00	95	3.00	48"
HW	3.00	200	3.00	48"
HW	4.00	100	4.00	12"
PI	6.00	60	6.00	48"
PI	8.00	40	8.00	48"

PI = Standard Borosilicate HW = Heavywall Borosilicate
 Note: (1) Actual flange pressure rating may be less based on material selected.

MODEL LAS SINGLE-TUBE LANTERN FLOW INDICATORS

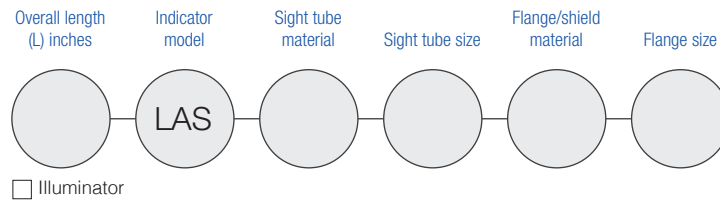
SPECIFICATIONS FOR ORDERING



Note: Visual length (V) is 3 inches less than overall length (L).

GAUGE PART NUMBERS

Use the spaces below to generate the model number for your indicators. Codes for materials and diameters are from the chart below right.



Example Part Number: 15.5-LAS-PI40-CS40

15.5	15.5 inches overall length
LAT	Single tube armored flow indicator
PI	Standard borosilicate sight tube
40	4.0 in. Sight tube size
CS	Carbon steel shield and flanges
40	4.0 in., 150 lb. flanges

Teflon is a registered trademark of E.I. Dupont

Codes for Part Numbers

Sight Tube Material	Code	Size	Code
Borosilicate pipe	PI	1.00	10
Heavywall Borosilicate	HW	1.50	15
		2.00	20
		3.00	30
Flange/Rod Material	Code	4.00	40
Carbon Steel	CS	6.00	60
316 SS	S6	8.00	80